

A-Class™ Mark II

Print Engines for Applicators ■ ■ ■



features at a glance ■ ■ ■

- **Stainless Steel Cabinet:** Protects your printer for years of service in rugged and extreme environments
- **Expanded Connectivity:** Unlike other print engines, the A-Class Mark II includes four types of communication ports as standard features - 10/100 LAN, USB, Serial and Parallel
- **Printer Language Emulation:** Allows you to seamlessly integrate the A-Class into most existing solutions using PL-Z and PL-I language emulation without changing code
- **Large Graphic Display:** Enables easy navigation, advanced set-ups and simple operator use
- **6' Remote Display:** Optional feature can be added when location is a challenge
- **IntelliSEAQ™ Printhead:** Proactive diagnostic tools allow easy access to printhead performance and history
- **Pinch Roller Option:** Provides added tension for increased printing accuracy and quality
- **USB/SDIO:** Added flexibility for expanded memory and USB attachments such as keyboards and memory flash drives
- **Easy to Service:** Modular design makes it easy to service or upgrade in the field; most operations can be done on-site with minimal downtime or decrease in productivity
- **RFID:** Fully integrated UHF RFID solutions available

When the demands of your high performance print and apply application require more features than existing print engines offer, it's time to move up to the A-Class™ Mark II.

The A-Class Mark II family of advanced print engines is designed for high-demand multi-shift applications requiring fast throughput and proven reliability. It includes a number of innovative design features such as stainless steel hardware components, a modular design for enhanced serviceability, coated side in/coated side out thermal transfer ribbon assembly, a full graphics display, intuitive menu navigation, and an optional remote display.

Designed for print and apply applicator integration, the A-Class Mark II utilizes the industry recognized Datamax-O'Neil firmware architecture with maximum connectivity options for industry standard communications interfaces.

The A-Class Mark II with RFID option allows users to encode smart labels at the point of print, where most experts agree that encoding should take place to avoid any chance of mismatch between printed and encoded information. The RFID option currently accommodates EPCglobal Class 1/Gen 2 tags with either 64 or 96 bits of memory.

The A-Class Mark II is available in either 4" or 6" widths and is the only print engine to offer 203, 300, 400 and 600 dpi resolution in either right-hand or left-hand models.

popular applications ■ ■ ■



Manufacturing

- Product Identification
- Shipping Labels
- Pallet Tracking



Distribution

- Warehouse Logistics
- Cross Docking
- Shipping Labels



Food & Beverage

- Compliance
- Shipping Labels
- Product Identification



Pharmaceutical

- Compliance
- Product Identification
- Track & Trace



Health & Beauty

- Product Identification
- Shipping
- Track & Trace

your benefits ■ ■ ■

Increased productivity – The A-Class increases productivity by providing fast throughput and proven reliability. The new design also allows for quick and easy replacement of the platen roller and printhead, cutting back on downtime and improving efficiency.

Integrates easily into existing solutions – The A-Class supports industry mounting standards for seamless integration into your system. PL-Z (Zebra) and PL-I (Intermec) printer language emulation allows you to seamlessly integrate the A-Class into existing solutions without changing label formats.



datamax • o'neil

right by our customers.



A-4xxx Series

The A-4xxx series offers high speed processing with labels up to 4.65 inches wide and 600 dpi. It prints high resolution and high density labels for product identification, shipping, and compliance. The A-Class is an easy to operate and extremely durable print engine designed for high volume print-and-apply applications.

A-6xxx Series

The A-Class Mark II A-6xxx series prints on labels up to 6.7 inches wide and offers a 203 or 300 dpi resolution. Due to its wider label capacity and ability to print on a large variety of media, it is frequently used to print pallet labels, shipping labels, carton and contain labels and compliance labeling.

Model					
A-4212	A-4310	A-4408	A-4606	A-6212	A-6310
Weight					
34 lbs. (15.3 kg)			37 lbs. (16.7 kg)		
Resolution					
203 dpi (8 dpmm)	300 dpi (11.8 dpmm)	406 dpi (16 dpmm)	600 dpi (23.6 dpmm)	203 dpi (8 dpmm)	300 dpi (11.8 dpmm)
Max Print Width					
4.094 in (104 mm)	4.161 in (105.7 mm)	4.094 in (104 mm)	4.157 in (105.6 mm)	6.614 in (168 mm)	6.401 in (162.6 mm)
Nominal Printhead Dot Size					
0.0043 x 0.0052 in (0.11 x 0.13 mm)	0.0027 x 0.0043 in (0.07 x 0.11 mm)	0.0013 x 0.0018 in (0.05 x 0.07 mm)	0.0008 x 0.0015 in (0.03 x 0.06 mm)	0.0043 x 0.0052 in (0.11 x 0.13 mm)	0.0027 x 0.0043 in (0.07 x 0.11 mm)
Max Print Speed					
12 ips (304 mm/sec)	10 ips (254 mm/sec)	8 ips (203 mm/sec)	6 ips (152 mm/sec)	12 ips (304 mm/sec)	10 ips (254 mm/sec)
Media Width Range					
1 - 4.65 in (25 - 118 mm)			2 - 6.70 in (50 - 170 mm)		
Ribbon Width Range					
1 - 4.65 in (25 - 118 mm)			2 - 6.70 in (50 - 170 mm)		
Media Edge to Printhead Dot 1 Distance, Left Hand Model					
0.07 in (1.8 mm)	0.00 in (0.0mm)	0.07 in (1.8 mm)	0.00 in (0.0 mm)	0.00 in (0.0 mm)	0.05 in (1.4 mm)
Media Edge to Printhead Dot 1 Distance, Right Hand Model					
0.07 in (1.8 mm)					



Did you know? Datamax-O'Neil manufactures an extensive selection of desktop label printers that are ideal for manufacturing, warehouse, healthcare, ticketing, postal service and RFID labeling requirements. The H-Class desktop printer shares many of the same specifications as the A-Class print engine and can be used to print backup labels as needed.



print technology ■ ■ ■

- Type:
 - Direct thermal
 - Optional thermal transfer
 - Right-hand or left-hand versions available
- Print length range:
 - 0.25" - 99.99" (6mm - 2500mm)

user environment ■ ■ ■

- Operating temperature:
 - 40° F to 100° F (4° C to 38° C)
- Operating humidity:
 - 10% to 90% non-condensing
- Storage temperature:
 - -40° F to 150° F (-40° C to 60° C)
- Storage humidity:
 - 5% to 95% non-condensing
- Dust:
 - Non-conducting, non-corrosive
- Electromagnetic radiation:
 - Moderate RF fields can be tolerated

electrical ■ ■ ■

- Power supply:
 - Auto-ranging switching type
- AC Input Voltage Range:
 - 90 to 132 / 180 to 264 VAC @ 47 to 63 Hz, auto-ranging
- Power consumption:
 - A-4xxx models: 200 watts, typical operating; 25 watts, standby
 - A-6xxx models: 220 watts, typical operating; 25 watts, standby
- Printhead protection:
 - Thermistor sensor shutdown with over-temperature occurrence, and automatic printing resumption after cooling
- Built-in real time clock

agency approval ■ ■ ■

Contact sales manager for the most current list

integration ■ ■ ■

- Communication ports:
 - Standard: USB, Parallel Centronics®, Serial RS232 (DB-9) up to 38,400 BPS, Internal Ethernet 10/100 Base-T Fast Ethernet
 - Optional: Internal 802.11b/g wireless LAN with WPA security (WEP 64, 128, PSK; WPA LEAP, 64, 128; PSK64, 128; TKIP+40, +128)
- Software
 - DMX Config: Complete printer setup utility
 - DMX NetManager
 - Embedded Network Web Pages
 - Windows Drivers - NT, XP, Vista
- Firmware
 - Updates: available online
 - Universal printer command language (Emulation): PL-Z Zebra and PL-I Intermec

media ■ ■ ■

- Media types:
 - Wound-out labels only and tag stock; roll-fed, die-cut, notched, reflective, continuous, and fan-fold
 - Flat printable side, with no more than .0007" (0.018 mm) protrusions on the opposite side
- Media thickness range:
 - 0.0025" - 0.010" (0.06mm - 0.25mm)
- Ribbon types:
 - Coated side in or coated side out
- Maximum ribbon length:
 - 2,132 ft. (650 m)
- Ribbon core sizes:
 - 1.01" +/- 0.006" (25.6 mm +/- 0.2 mm) inner diameter; core not to protrude beyond the ribbon edge

warranty ■ ■ ■

- Printer:
 - 1 year factory warranty covers parts, labor, and return shipment
- Printhead:
 - 1 year or 1,000,000 inches whichever comes first; factory warranty covers parts, labor, and return shipment
- Extended warranty available by quote

barcodes/fonts/graphics ■ ■ ■

- Memory:
 - 8MB Flash
 - 16MB DRAM
- Barcodes:
 - Linear: Code 3 of 9, UPC-A, UPC-E, Interleaved 2 of 5, Code 128, EAN-8, EAN-13, HIBC, Codabar, Plessey, UPC 2 and 5 digit addendums, Code 93, Postnet, UCC/EAN Code 128, Telepen
 - 2D Symbologies: MaxiCode, PDF417, USD-8, Datamatrix, QR Code, Aztec, TLC 39, Micro PDF417
- Resident fonts:
 - Ten alphanumeric fonts from 0.08" (2mm) to 0.25" (6mm) including OCR-A, OCR-B, CG Triumvirate™ smooth font from AGFA®
 - Scalable Fonts: CG Triumvirate Bold Condensed, CG Triumvirate & CG Times with Cyrillic, Greek Arabic and Hebrew character support
- Downloadable font types:
 - True-Type, Bitmap
- Character set:
 - Over 50 resident character sets; Unicode/UTF8 support
- Font expansion/rotation:
 - All fonts expandable vertically and horizontally up to 24x; fonts and graphics can be printed in four directions: 0°, 90°, 180° and 270°s
- Graphics supported:
 - .PCX, .BMP and .IMG files
- Reversible field/mirror image
 - Any font or graphic field can be printed as a normal or reverse image
- ILPC (International Language Print Capability):
 - Kanji Gothic B scalable
 - Korean Hangul
 - Simplified Chinese GB

options ■ ■ ■

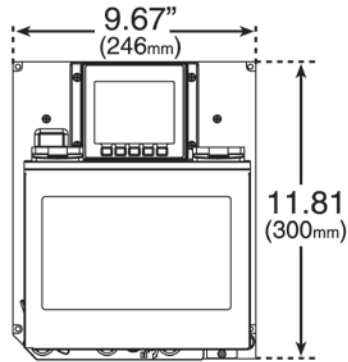
- Thermal transfer (factory installed)
- Ribbon saver (factory installed)
- Internal wireless LAN (DMXrfNET II)
- Pinch rollers (factory installed)
- Remote front panel display with 6' cable
- RFID (encodes EPC Class 1/Gen 2 tags)
- USB host / SDIO
- Cutter



Did you know?

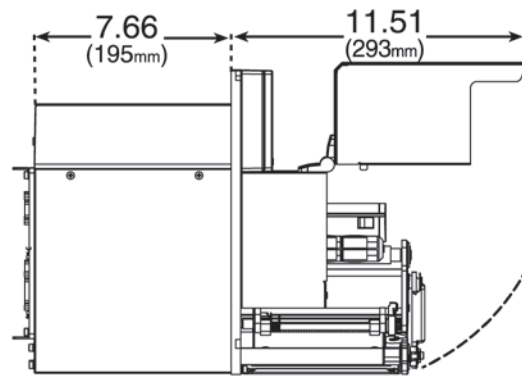
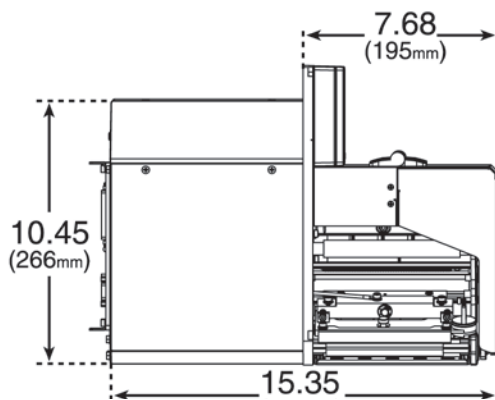
The IntelliSEAQ printhead combines advanced thermal control with full performance history to provide the most sophisticated diagnostics available today. The diagnostics stored in the printhead allow you to quickly assess the operation of the printhead and proactively service the printer without compromising the productivity of the enterprise.

All Models



Models:

- A-4212
- A-4310
- A-4408
- A-4606



Models:

- A-6212
- A-6310

